

# 5777

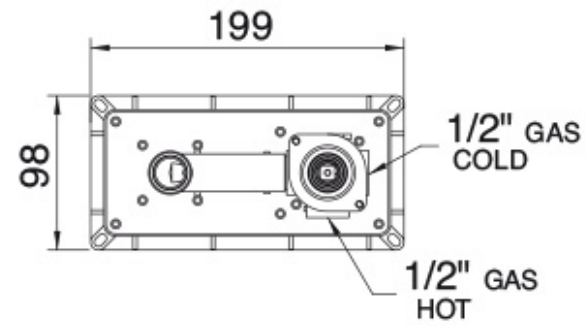
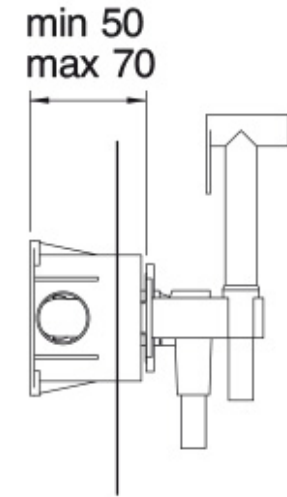
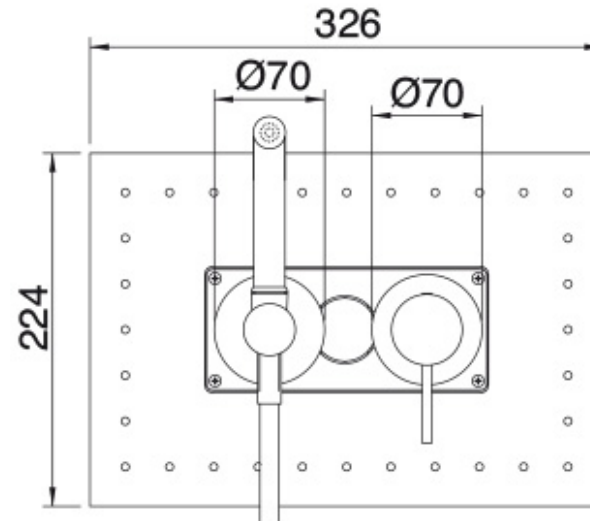
FINISHES:



CHROME



BRUSH NICKEL



RUBINETTERIE  
**treemme**  
*instruments for water*