

# 5703

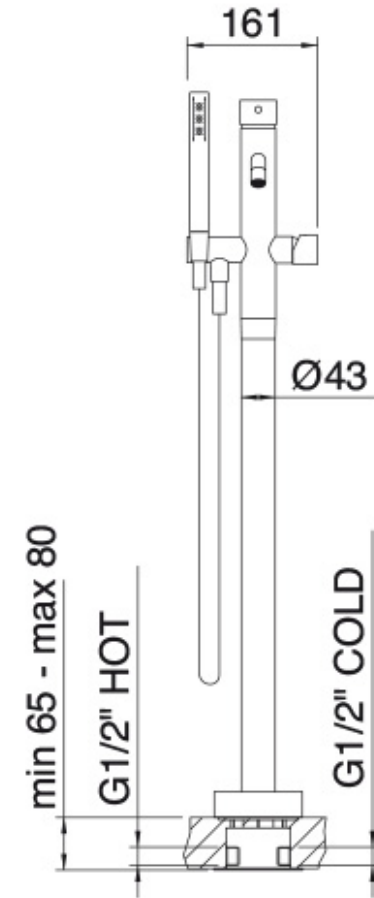
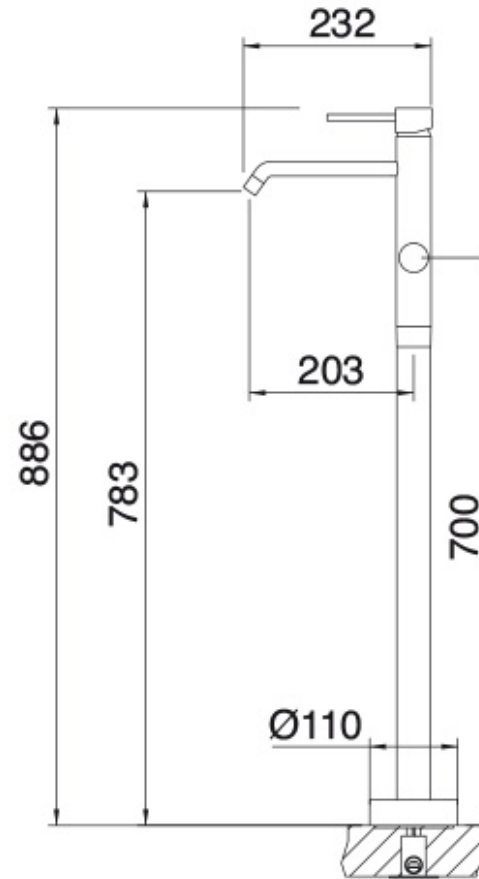
FINISHES:



CHROME



BRUSH NICKEL



RUBINETTERIE  
**tremme**  
*instruments for water*