

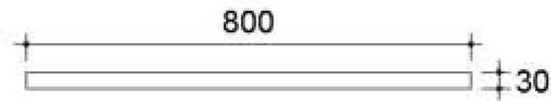
# KRONOS 800 HEATED TOWEL RAIL

## ASTKRONOS80 UNI

### Specification



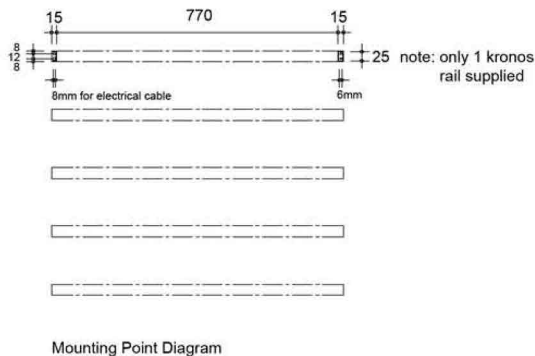
Plan



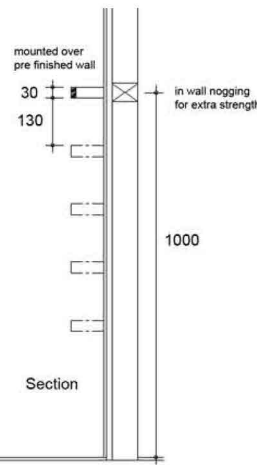
Front Elevation



End Elevation



Mounting Point Diagram



Section

- 12v 50HZ
- 304 stainless steel
- Concealed left/right cable entry
- 5 year warranty
- Full compliance with IEC 60529:2001 - IP44 rating
- Full compliance with AS/NZS 60335.2.43:2005

**TRANSFORMER REQUIRED PRIOR INSTALLATION NOT INCLUDED**

[www.casaitaliana.co.nz](http://www.casaitaliana.co.nz)

[info@casaitaliana.co.nz](mailto:info@casaitaliana.co.nz)

Please contact your nearest show room for more information



ca  
sa | ITALIANA